

## FOCUS+3 ELL



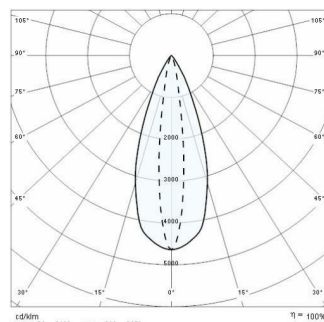
<b>Part number</b>	305239
<b>Lampholder:</b>	LED
<b>Light Source:</b>	LED
<b>Wattage:</b>	50 W
<b>Finish:</b>	AN-96 / Anthracite gray / Textured
<b>Insulation class:</b>	I
<b>Degree of protection:</b>	IP66
<b>IK-J-xxIP:</b>	IK09 10J xx7
<b>CRI:</b>	70
<b>Kelvin:</b>	3000
<b>Power factor:</b>	COSφ ≥ 0,9
<b>EEL:</b>	A2
<b>Optic:</b>	ELLIPTICAL REFLECTOR
<b>Optic Beam:</b>	15°x45°
<b>Lightsource lumen output:</b>	5040 lm
<b>Luminaire lumen output:</b>	3964 lm
<b>L:</b>	L70
<b>B:</b>	B10
<b>Lifetime:</b>	60000 h
<b>Ta MIN luminaire:</b>	-20°
<b>Ta MAX luminaire:</b>	30°



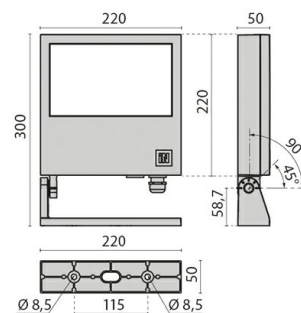
### Description

- LED floodlight for indoor and outdoor lighting, comprising:
- Die-cast painted aluminium housing and trim
  - Adjustable mounting bracket made of die-cast aluminium, painted
  - Extra-clear flat tempered glass diffuser with internal screen printing
  - Elliptical lens
  - High power LEDs with next generation high intensity light beam
  - Silicone gasket
  - Stainless steel locking screws
  - Cable gland M20x1.5 for cables Ø 7- Ø 12 mm
  - Photometric data measure according to UNI EN 13032-4 and IES LM-79-08

### Photometric data



### Technical drawings



## OPTIONAL ACCESSORIES

### FOCUS+3



14099896  
Gliding support made of painted aluminium for the installation on Ø 60 mm posts



14099696  
Gliding support made of painted aluminium for the installation on Ø 90 mm posts



311043  
Fixing bracket